

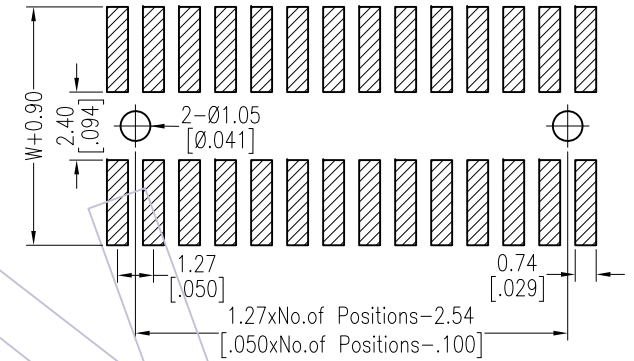
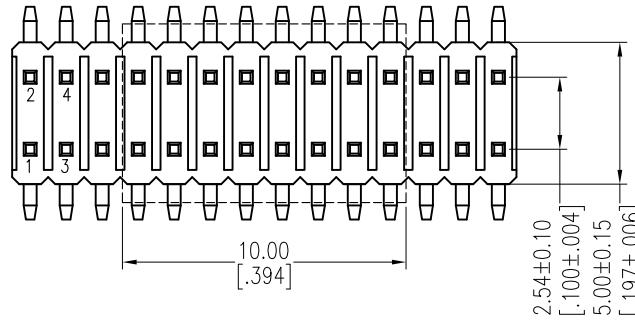
HSF

NOTES:

Rated Current:1.0AMP.
 Contact Resistance:20mΩ Max.
 Withstand Voltage:500V AC/DC
 Insulation Resistance:1000MΩ Min.
 Operation Temperature:-40°C to +105°C

Contact Material:Brass
 Contact Plating:Au or Sn Over Ni
 Insulator Material:PA9T+33%G.F UL94V-0 BK

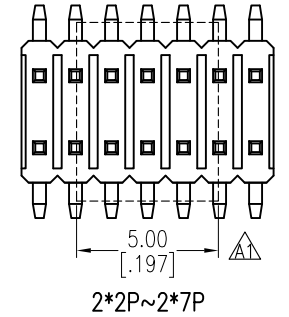
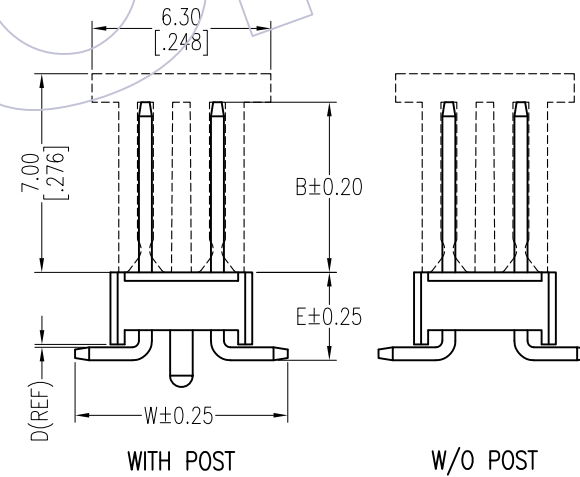
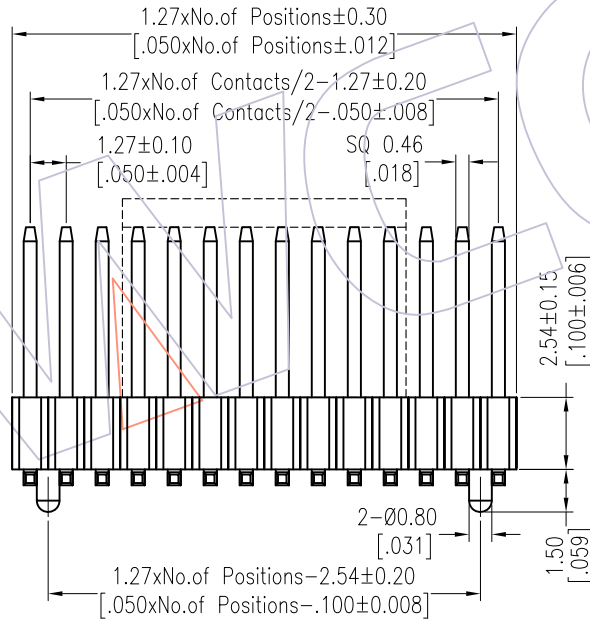
Recommended P.C.B Layout (Top Side)
 (PCB BOARD TOLERANCE±0.05)



Ordering Information

1425-12 XX XX M XXX C R XX

| No. of Pins | Contact Plating | Pin Length | Insulator | Series No. |
|---------------|--|---|-----------|--|
| Per Row:02~50 | G0=Gold Flash G3=10u"Gold G4=15u"Gold G5=30u"Gold S0=Gold Flash/Tin S3=10u"Gold/Tin S4=15u"Gold/Tin S5=30u"Gold/Tin SN=Tin SM=Matte Tin | L=B+D+2.5+ $\frac{W-2.54}{2}$ Standard:079=7.9 111=11.1 | C=PA9T | 01~99 |
| | | | | Packing T=Tube P=Tube+CAP R=Tape&Reel+CAP |



| Item | Pin Length | W | E | B | Mating |
|-----------|------------|------|------|------|--------|
| Standard | 7.9 | 7.50 | 3.10 | 2.80 | 2446 |
| | 11.1 | 7.50 | 3.10 | 6.00 | 2485 |
| Alternate | | | | | |

| REV | DATE | MODIFICATION DESCRIPTION | CHANGE | OPERATION | DRAW | DATE | SCALE | Fit | PART NO. |
|-----|------------|--------------------------|--------|-------------|--------------|------------|-------|-----------|--|
| A2 | 2018/01/12 | MODIFY PART NO. | ----- | x.X ±0.40 | William Chen | 2018/01/12 | UNIT | mm [inch] | 1425-12XXXXMXXXCXXX |
| A1 | 2012/09/20 | Modify Drawing | ----- | x.XX ±0.25 | CHECK | DATE | SIZE | A4 | TITLE: |
| A0 | 2012/04/06 | NEW | ----- | x.XXX ±0.15 | APPROVE | DATE | SHEET | 1/1 | 1.27*2.54 Pin Header, DUAL ROW, SMT, H=2.54 |
| | | | | Angle ± 3' | | | PROJ. | | Customer NO. |
| | | | | DIM TOL | | | | | |

WCON

Http: www.wcon.com

| | |
|---|--|
| WCON-Dongguan Tel: +86 769 85358920 Fax: +86 769 85358915 E-mail: sales@wcon.com | WCON-Kunshan Tel: +86 512 57468408 Fax: +86 512 57468468 E-mail: salesks@wcon.com |
|---|--|